



FEATURES:

- AC-DC Constant Current LED Driver
- Universal Input: 90-265VAC, 47-63Hz
- Short circuit protection
- RoHS compliant
- Waterproof IP67
- Over current protection
- Over voltage protection

Models
Single output



Model	Input Voltage (VAC/Hz)	Output Voltage Range (VDC)	Output Current (mA)	Efficiency (%)	Max Output Power (W)
AMER48-48100KZ	90-265/ 47-63	30-48	1000 ±50	85	50.4
AMER55-38144KZ	90-265/ 47-63	25-38	1440 ±70	85	57.5

NOTE: All specifications in this datasheet are measured at an ambient temperature of 25°C, humidity<75%, nominal input voltage and at rated output load unless otherwise specified.

Input Specifications

Parameters	Conditions	Typical	Maximum	Units
Voltage range		90-265		VAC
Inrush current <2ms	115V 230V		20 30	A
Leakage current	230V	0.25		mA
AC current	115V 230V		0.50 0.35	A
No-load consumption		2.5		W
External fuse			250V/1.5A	

Output Specifications

Parameters	Conditions	Typical	Maximum	Units
Current accuracy		±10		%
Line regulation	LL-HL	±5		%
Load regulation	30Vdc to 100%	±10		%
Ripple & Noise	20MHz Bandwidth	100		mV p-p
Hold-up time (min)	100% load	4	8	ms

Isolation Specifications

Parameters	Conditions	Typical	Maximum	Units
Tested I/O voltage	2mA/60Sec	3000		VAC
Input FG		1500		VAC
Isolation resistance		>50		MΩ

General Specifications

Parameters	Conditions	Typical	Maximum	Units
Switching frequency	100% Load	100		KHz
Over current protection		115		%
Over voltage protection		Zener Diode clamp		
Short circuit protection		Continuous		
Short Circuit restart		Auto recovery		
Operating temperature		-40 to +55		°C
Maximum case temperature			90	°C
Storage temperature		-40 to +80		°C

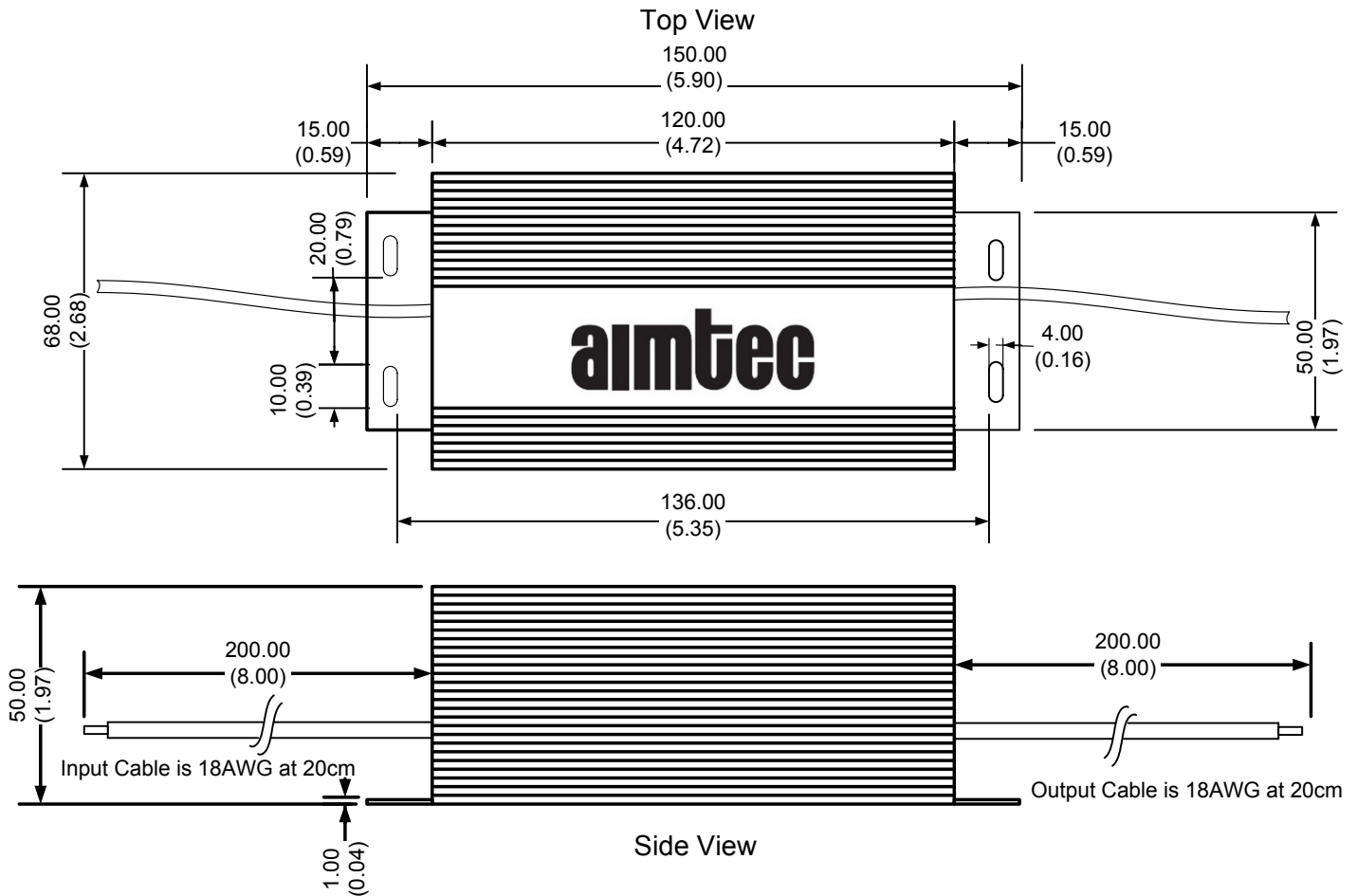
General Specifications (continued)

Parameters	Conditions	Typical	Maximum	Units
Temperature coefficient		0.05		% / °C
Cooling	Free Air Convection			
Humidity			95	% RH
Case material	Aluminum			
Weight		750		g
Dimensions (L X H X W)		5.90 x 2.68 x 1.97 inches	150.00 x 68.00 x 50.00 mm	
MTBF		> 50,000 hrs (MIL-HDBK-217 F at +25 °C)		

Safety Specifications

Parameters	
Agency approvals	CE
Standards	GB195110.1-2004/IEC61347-1:2003, EN55015, EN61000, EN61547

Dimensions



NOTE: 1. Datasheets are updated as needed and as such, specifications are subject to change without notice. Once printed or downloaded, datasheets are no longer controlled by Aimtec; refer to www.aimtec.com for the most current product specifications. 2. Product labels shown, including safety agency certifications on labels, may vary based on the date manufactured. 3. Mechanical drawings and specifications are for reference only. 4. All specifications are measured at an ambient temperature of 25°C, humidity < 75%, nominal input voltage and at rated output load unless otherwise specified. 5. Aimtec may not have conducted destructive testing or chemical analysis on all internal components and chemicals at the time of publishing this document. CAS numbers and other limited information are considered proprietary and may not be available for release. 5. This product is not designed for use in critical life support systems, equipment used in hazardous environments, nuclear control systems or other such applications which necessitate specific safety and regulatory standards other than the ones listed in this datasheet.